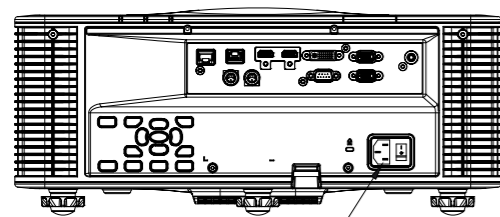
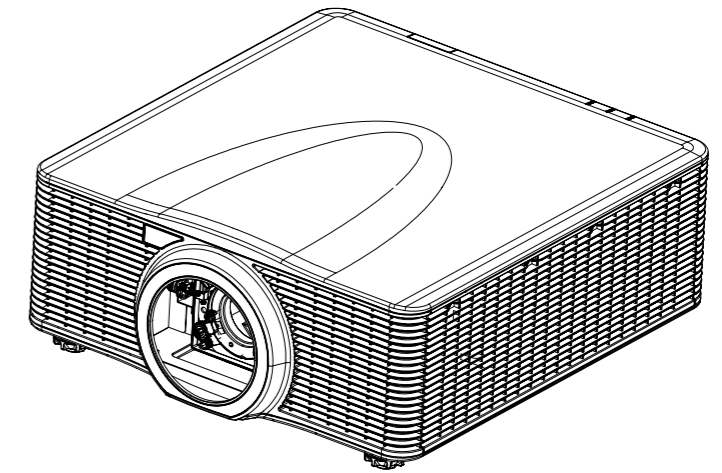
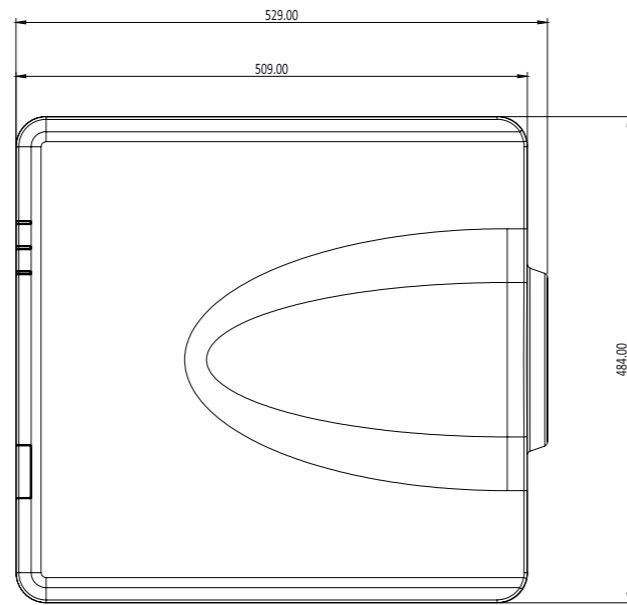


U SERIES LENSES

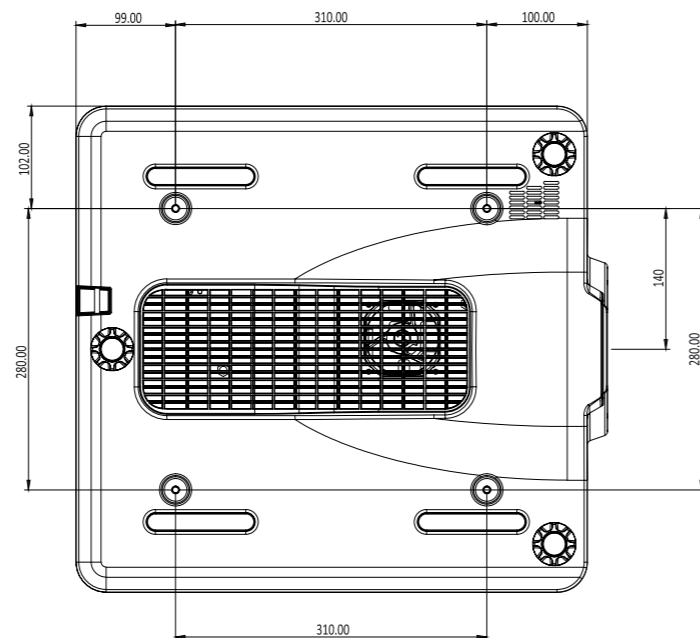
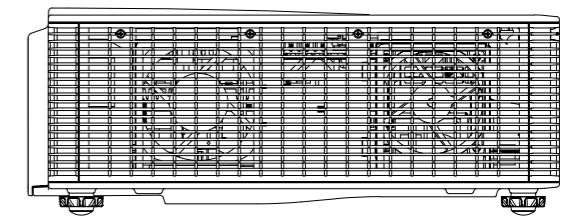
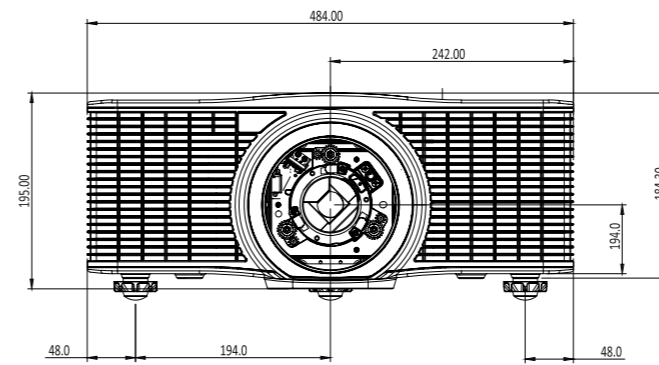
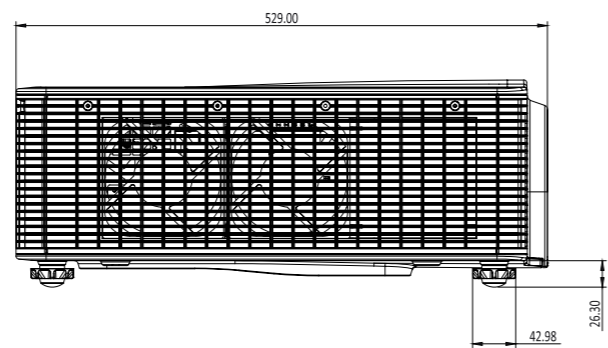
A01 / A02 / A03 / A06 / A13 / A15 / A16 / A17
for ZU660e / ZU750 / ZU860 / ZU1050



Choose the ideal lens for your environment from a wide range of easily interchangeable options. These maximise quality and versatility and enable big-screen image projection in any space.



POWER CORD LOCATION



GENERAL NOTE
 MASS: 17.0 kg (with out lens)
 OPERATING TEMPERATURE RANGE:
 5°C~40°C @0~2500FT
 5°C~35°C @2500~5000FT
 5°C~30°C @5000~10000FT
 INPUT :AC 100-240V~, 50/60 Hz, 7.0A

U SERIES LENSES

A16 / A01 / A02 / A06 / A03 / A13 / A15 / A17

Technical specifications



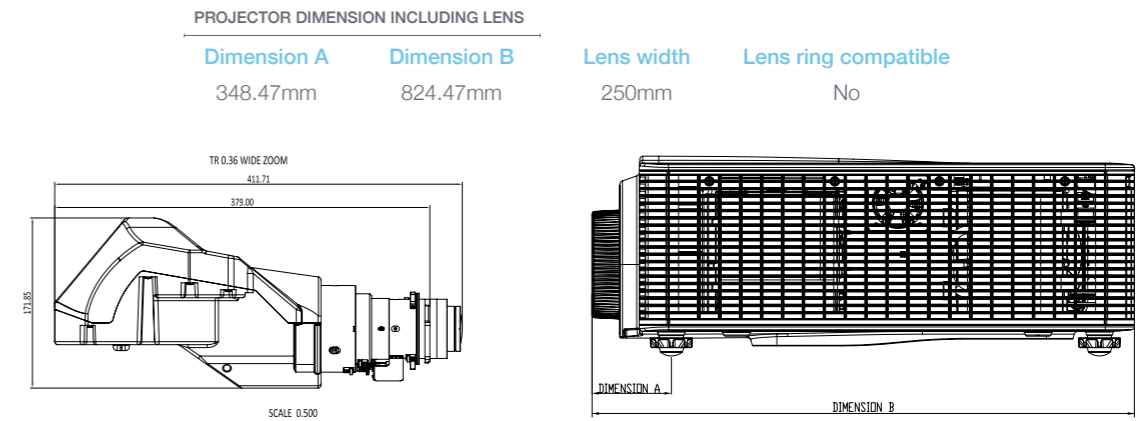
PROJECTION LENS	A16	A01	A02	A06	A03	A13	A15	A17
Throw Ratio	0.36:1	0.95 ~ 1.22	1.22 ~ 1.53	1.22 ~ 1.52	1.52 ~ 2.92	2.90 ~ 5.50	0.75 ~ 0.95	0.65 ~ 0.75
Zoom	N/A	1.28x	1.25x	1.25x	1.9x	1.9x	1.26x	1.15x
Throw Distance (m)	0.96 ~ 3.11	1.02 ~ 13.14	1.31 ~ 16.48	1.31 ~ 16.37	1.64 ~ 31.45	3.12 ~ 59.23	0.81 ~ 10.23	0.70 ~ 8.08
Offset	142%	-	-	-	-	-	-	-
Lens shift	n/a	see user manual for details						
Aperture	2.4	2.30 ~ 2.57	2.00 ~ 2.32	2.00 ~ 2.32	2.30 ~ 3.39	2.30 ~ 2.74	2.30 ~ 2.53	2.0 ~ 2.1
Focal length (mm)	9.49 ~ 9.55	14.03 ~ 17.96	18.07 ~ 22.59	18.2 ~ 22.6	22.56 ~ 42.87	42.60 ~ 80.90	11.11 ~ 14.06	9.69 ~ 11.19

Projection distance table

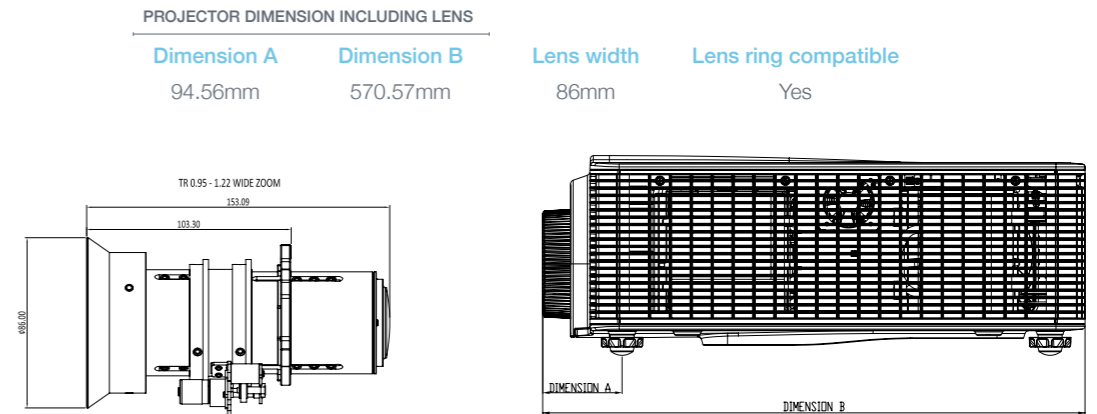
DIAGONAL (inches)	HEIGHT (m)	WIDTH (m)	A16 (Distance)	A01 (Min/Max)	A02 (Min/Max)	A06 (Min/Max)	A03 (Min/Max)	A13 (Min/Max)	A15 (Min/Max)	A17 (Min/Max)
50	0.67	1.08	-	1.02 ~ 1.31	1.31 ~ 1.65	1.31 ~ 1.64	1.64 ~ 3.14	3.12 ~ 5.92	0.81 ~ 1.02	0.70 ~ 0.81
60	0.81	1.29	-	1.23 ~ 1.58	1.58 ~ 1.98	1.58 ~ 1.96	1.96 ~ 3.77	3.75 ~ 7.11	0.97 ~ 1.23	0.84 ~ 0.97
70	0.94	1.51	-	1.43 ~ 1.84	1.84 ~ 2.31	1.84 ~ 2.29	2.29 ~ 4.40	4.37 ~ 8.29	1.13 ~ 1.43	0.98 ~ 1.13
80	1.08	1.72	-	1.64 ~ 2.1	2.10 ~ 2.64	2.10 ~ 2.62	2.62 ~ 5.03	5.00 ~ 9.48	1.29 ~ 1.64	1.12 ~ 1.29
90	1.21	1.94	-	1.84 ~ 2.36	2.36 ~ 2.97	2.36 ~ 2.95	2.95 ~ 5.66	5.62 ~ 10.66	1.45 ~ 1.84	1.26 ~ 1.45
100	1.35	2.15	-	2.05 ~ 2.63	2.63 ~ 3.30	2.63 ~ 3.27	3.27 ~ 6.29	6.25 ~ 11.85	1.62 ~ 2.05	1.40 ~ 1.62
110	1.48	2.37	-	2.25 ~ 2.89	2.89 ~ 3.63	2.89 ~ 3.60	3.60 ~ 6.92	6.87 ~ 13.03	1.78 ~ 2.25	1.54 ~ 1.78
120	1.62	2.58	0.93	2.46 ~ 3.15	3.15 ~ 3.95	3.15 ~ 3.93	3.93 ~ 7.55	7.50 ~ 14.22	1.94 ~ 2.46	1.68 ~ 1.94
130	1.75	2.8	1.01	2.66 ~ 3.42	3.42 ~ 4.28	3.42 ~ 4.26	4.26 ~ 8.18	8.12 ~ 15.40	2.1 ~ 2.66	1.82 ~ 2.10
140	1.88	3.02	1.09	2.86 ~ 3.68	3.68 ~ 4.61	3.68 ~ 4.58	4.58 ~ 8.81	8.74 ~ 16.59	2.26 ~ 2.86	1.96 ~ 2.26
150	2.02	3.23	1.17	3.07 ~ 3.94	3.94 ~ 4.94	3.94 ~ 4.91	4.91 ~ 9.43	9.37 ~ 17.77	2.42 ~ 3.07	2.10 ~ 2.42
160	2.15	3.45	1.24	3.27 ~ 4.2	4.20 ~ 5.27	4.20 ~ 5.24	5.24 ~ 10.06	9.99 ~ 18.95	2.58 ~ 3.27	2.24 ~ 2.58
170	2.29	3.66	1.32	3.48 ~ 4.47	4.47 ~ 5.60	4.47 ~ 5.57	5.57 ~ 10.69	10.62 ~ 20.14	2.75 ~ 3.48	2.38 ~ 2.75
180	2.42	3.88	1.40	3.68 ~ 4.73	4.73 ~ 5.93	4.73 ~ 5.89	5.89 ~ 11.32	11.24 ~ 21.32	2.91 ~ 3.68	2.52 ~ 2.91
190	2.56	4.09	1.48	3.89 ~ 4.99	4.99 ~ 6.26	4.99 ~ 6.22	6.22 ~ 11.95	11.87 ~ 22.51	3.07 ~ 3.89	2.66 ~ 3.07
200	2.69	4.31	1.56	4.09 ~ 5.26	5.26 ~ 6.59	5.26 ~ 6.55	6.55 ~ 12.58	12.49 ~ 23.69	3.23 ~ 4.09	2.80 ~ 3.23
250	3.37	5.38	1.94	5.12 ~ 6.57	6.57 ~ 8.24	6.57 ~ 8.18	8.18 ~ 15.72	15.62 ~ 29.62	4.04 ~ 5.12	3.50 ~ 4.04
300	4.04	6.46	2.33	6.14 ~ 7.88	7.88 ~ 9.89	7.88 ~ 9.82	9.82 ~ 18.87	18.74 ~ 35.54	4.85 ~ 6.14	4.20 ~ 4.85
350	4.71	7.54	2.72	7.15 ~ 9.19	9.19 ~ 11.52	9.19 ~ 11.45	11.45 ~ 21.99	21.84 ~ 41.42	5.65 ~ 7.15	4.89 ~ 5.65
400	5.38	8.62	3.11	8.18 ~ 10.51	10.51 ~ 13.18	10.51 ~ 13.10	13.10 ~ 25.16	24.99 ~ 47.39	6.46 ~ 8.18	5.60 ~ 6.46
450	6.06	9.69	-	9.21 ~ 11.82	11.82 ~ 14.83	11.82 ~ 14.73	14.73 ~ 28.30	28.11 ~ 53.31	7.27 ~ 9.21	6.30 ~ 7.27
500	6.73	10.77	-	10.23 ~ 13.14	13.14 ~ 16.48	13.14 ~ 16.37	16.37 ~ 31.45	31.23 ~ 59.23	8.08 ~ 10.23	7.00 ~ 8.08

Lens technical drawings

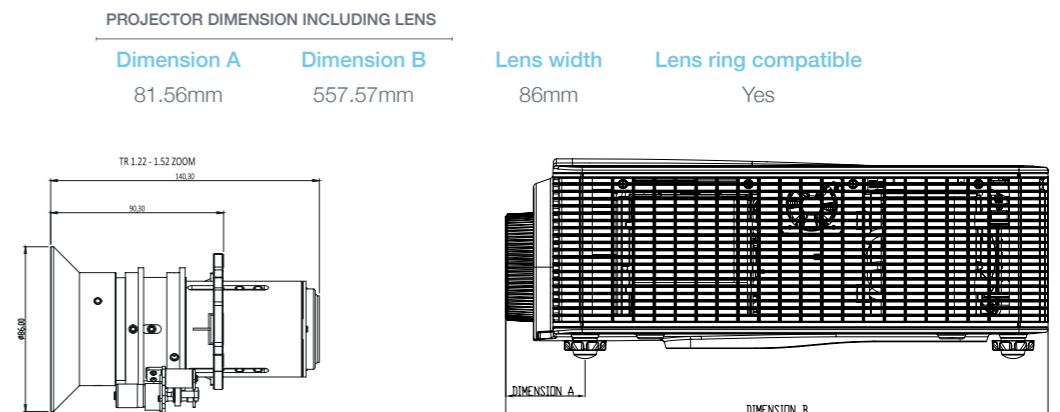
A16



A01



A02 (only for ZU660e)



U SERIES LENSES

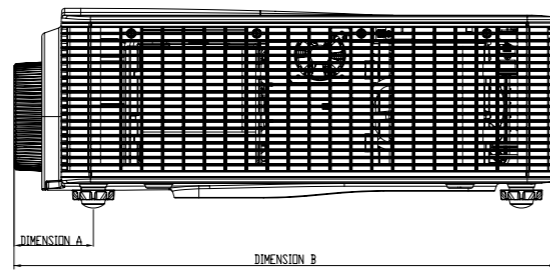
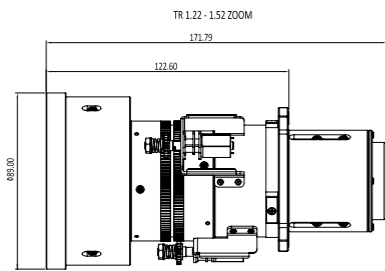
A16 / A01 / A02 / A06 / A03 / A13 / A15 / A17

Lens technical drawings

A06

PROJECTOR DIMENSION INCLUDING LENS

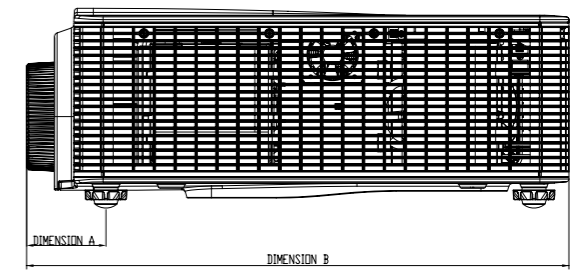
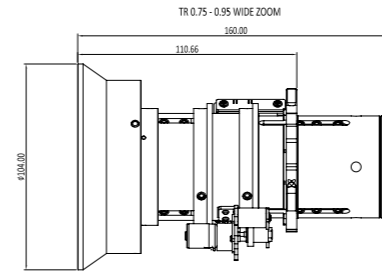
Dimension A	Dimension B	Lens width	Lens ring compatible
113.57mm	589.57mm	89mm	Yes



A15

PROJECTOR DIMENSION INCLUDING LENS

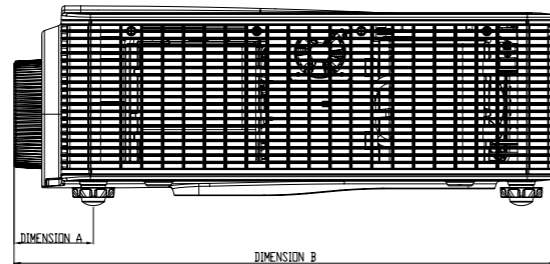
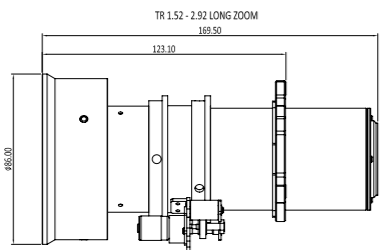
Dimension A	Dimension B	Lens width	Lens ring compatible
95.92mm	571.92mm	104mm	Yes



A03

PROJECTOR DIMENSION INCLUDING LENS

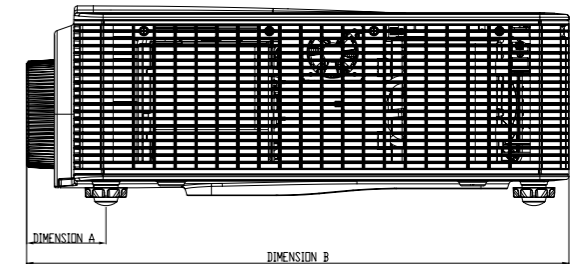
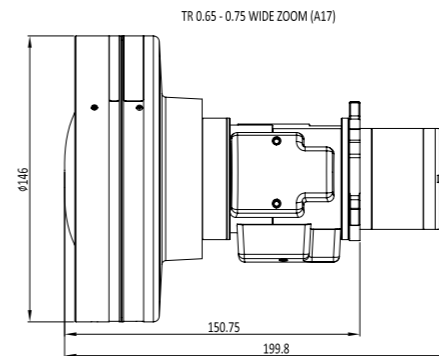
Dimension A	Dimension B	Lens width	Lens ring compatible
114.36mm	590.37mm	86mm	Yes



A17

PROJECTOR DIMENSION INCLUDING LENS

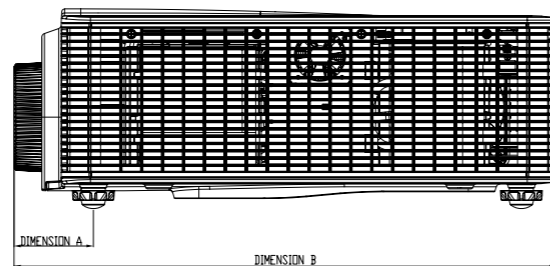
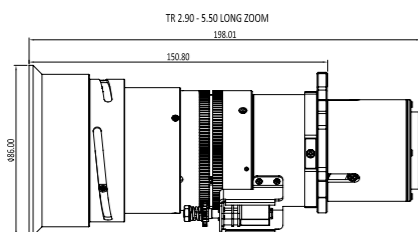
Dimension A	Dimension B	Lens width	Lens ring compatible
136.01mm	612.01mm	146mm	No



A13

PROJECTOR DIMENSION INCLUDING LENS

Dimension A	Dimension B	Lens width	Lens ring compatible
142.07mm	618.07mm	86mm	Yes



optoma.com

Copyright © 2020, Optoma and its logo is a registered trademark of Optoma Corporation. Optoma Europe Ltd is the licensee of the registered trademark. All other product names and company names used herein are for identification purposes only and may be trademarks or registered trademarks of their respective owners. Errors and omissions excepted, all specifications are subject to change without notice. All images are for representation purposes only and may be simulated. 24/11/20 v4