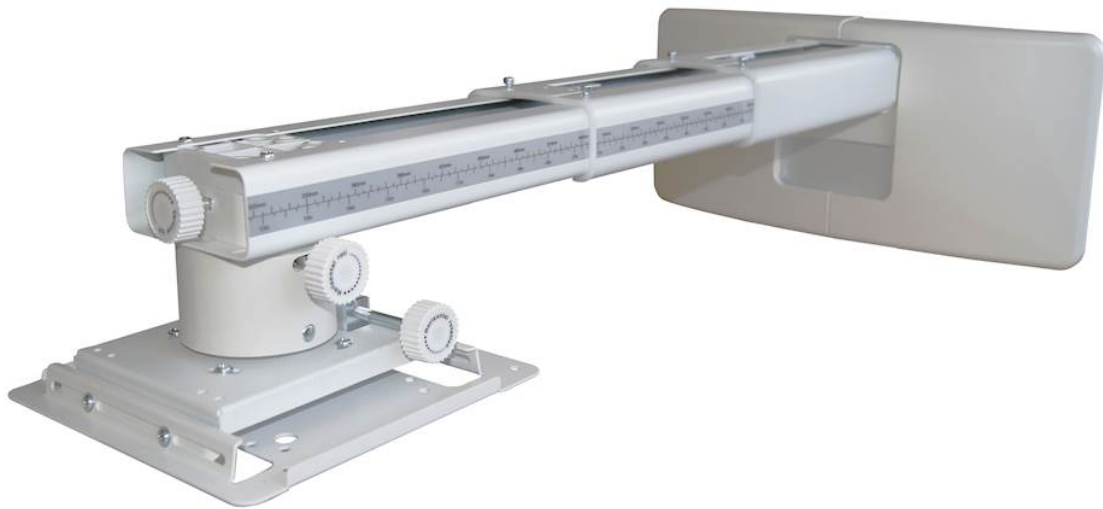


# OWM3000

Ultra short throw projector mount

---



- **Compact telescopic arm**
- **Easy to install – adjustable**
- **Cable management**
- **Compatible with stud walls**

Designed for Optoma ultra short throw projectors this easy to install compact mount features a high quality adjustable arm and mounting plate. Perfect for installation with a whiteboard in education or corporate environments.

## Specifications

EAN: 5055387645530, Colour: White

---

### General

Dimensions (W x D x H) mm	448 x 407 x 210
Pitch	5°
Roll	5°
Yaw	5°
Adjustable	+/-30mm horizontal shift, +/-40mm vertical shift
In the box	User manual Accessory bag (inc screws, washers, extension arms and Allen keys)
Extension range	407 - 822mm
Net weight	5 kg
Gross weight	6 kg

---

